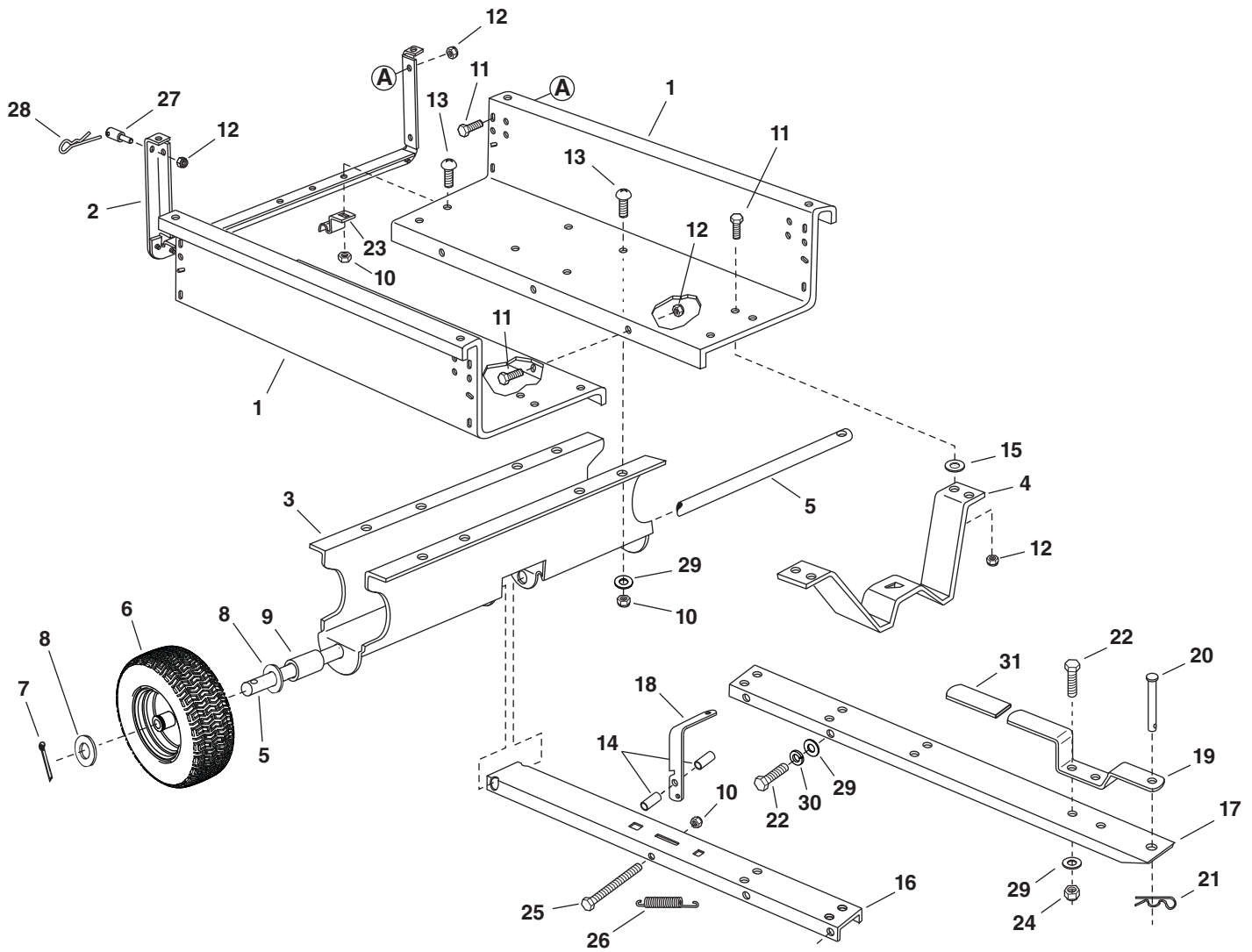


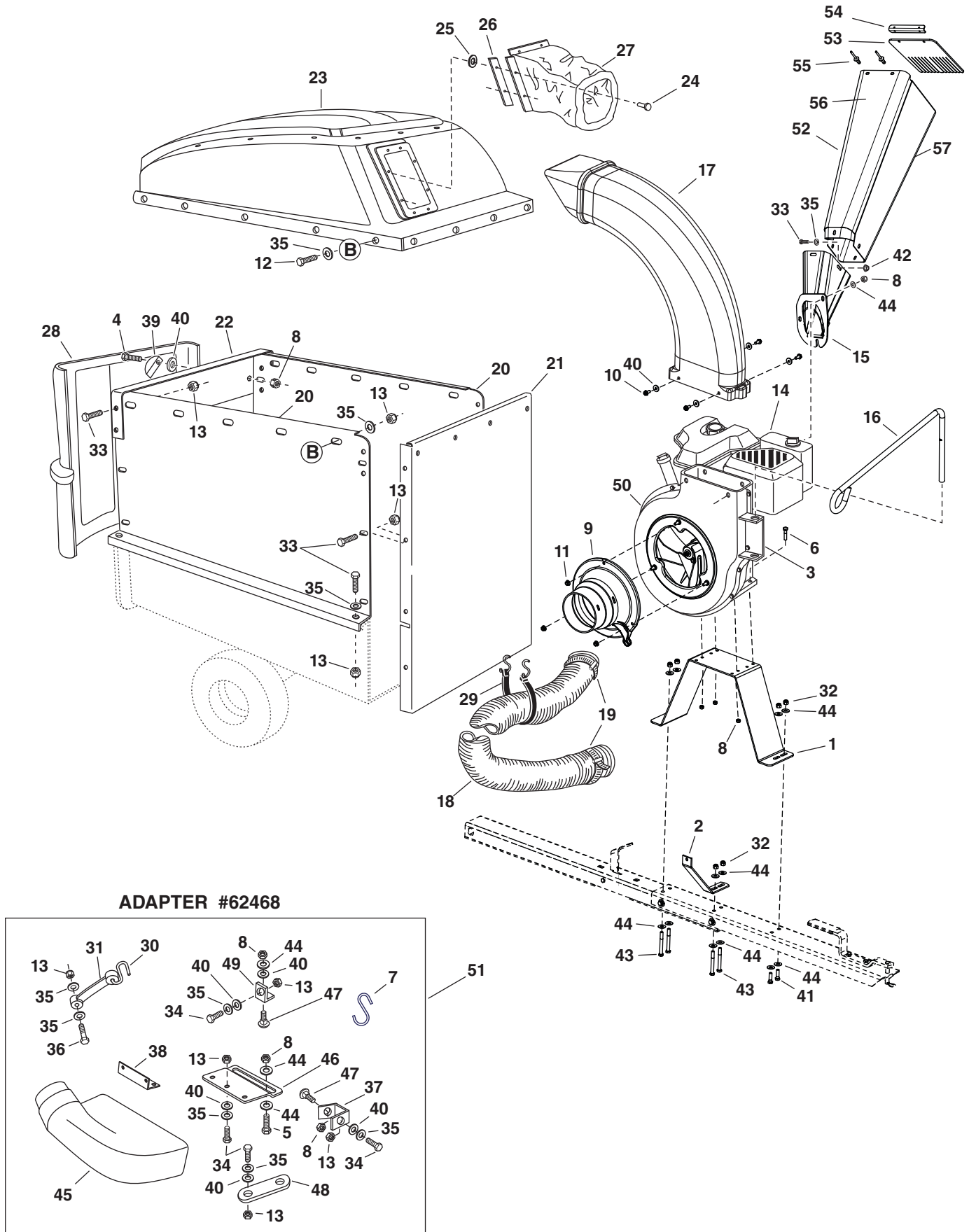
PARTS

REPAIR PARTS FOR MODEL 45-0540 CART BODY



REF.	PART NO.	QTY.	DESCRIPTION	REF.	PART NO.	QTY.	DESCRIPTION
1	23985	2	Cart Body	17	27863	1	Tongue (Front)
2	62458	1	Tailgate Reinforcement Bracket	18	24614	1	Latch Lock Lever
3	23507	1	Wheel Support	19	27264	1	Hitch Bracket
4	24497	1	Latch Stand Bracket	20	49932	1	Clevis Pin, 1/2" x 3"
5	24897	1	Axle, Wheel 1" Dia.	21	43343	1	Pin, Hair Cotter 1/8"
6	42159	2	Wheel w/Tire, 15 x 6.00	22	43087	6	Hex Bolt, 3/8-16 x 1-1/4"
7	43093	2	Cotter Pin, 1/8" Dia. x 1-1/2"	23	23838	2	Door Support
8	43601	4	Washer, Flat 1"	24	HA21362	2	Nut, Hex Nylock 3/8-16
9	44678	2	Spacer Tube, 1-1/4" x 2" Lg.	25	47407	1	Hex Bolt, 5/16-18 x 4"
10	47810	13	Hex Nut, 5/16-18 Nylock	26	47408	1	Spring, Extension
11	43866	9	Hex Bolt, 1/4-20 x 5/8"	27	42999	2	Pin
12	47189	11	Hex Nut, 1/4-20 Nylock	28	48934	2	Hairpin
13	43814	13	Truss Hd. Bolt, 5/16-18 x 3/4"	29	43081	14	Washer, 5/16"
14	41076	2	Spacer	30	43003	4	Lock Washer, 3/8"
15	43088	2	Washer, Flat 1/4"	31	47707	1	Grip
16	68346	1	Tongue Weldment Ass'y. (Rear)				

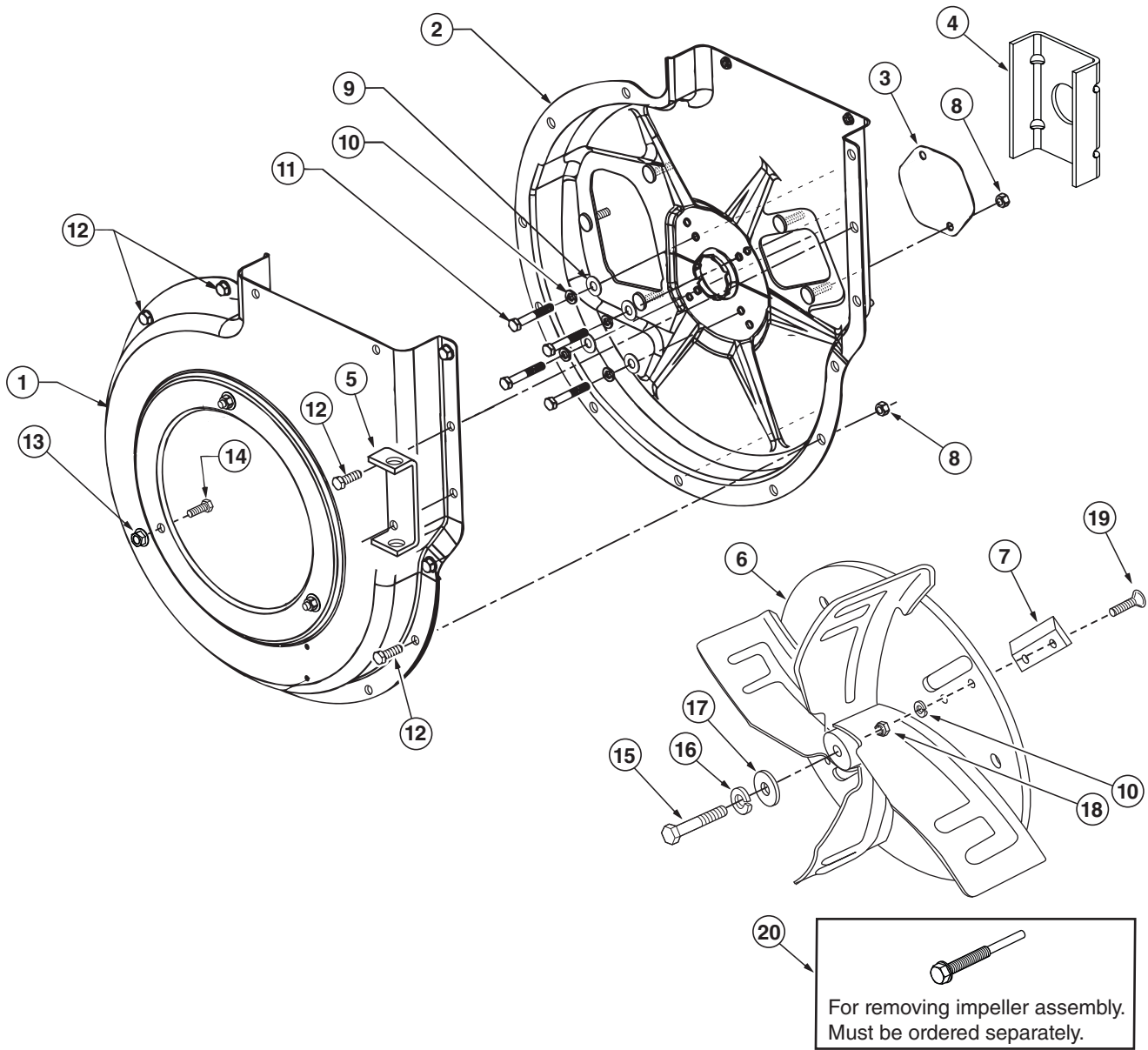
REPAIR PARTS FOR MODEL 45-0540 CHIP-N-VAC



REPAIR PARTS FOR MODEL 45-0540 CHIP-N-VAC

REF.	PART NO.	QTY.	DESCRIPTION	REF.	PART NO.	QTY.	DESCRIPTION
1	27883	1	Engine Base	32	HA21362	6	Nut, Hex Nylock 3/8-16
2	27882	1	Brace, Housing	33	43866	24	Bolt, Hex 1/4-20 x 5/8"
3	24958	1	Hose Hanger Bracket	34	43661	4	Bolt, Hex 1/4-20 x 1"
4	43182	2	Bolt, Hex 5/16-18 x 3/4"	35	43088	15	Washer, 1/4" STD
5	43840	2	Bolt, Hex 5/16-18 x 1-1/4"	36	1509-90	3	Bolt, Hex 1/4-20 x 1-1/4"
6	43085	4	Bolt, Hex 5/16-18 x 1-1/2"	37	23827	1	Mounting Bracket
7	42749	1	"S" Hook, Large	38	27304	1	Bracket, Attachment
8	47810	13	Nut, Nylock 5/16-18	39	23789	2	Door Latch
9	43791	1	Hose Adapter (Nozzle)	40	1543-69	11	Washer, Nylon 21/64"
10	47630	4	Screw, Self Tap 5/16-18 x 3/4"	41	43087	2	Hex Bolt, 3/8-16 x 1-1/4"
11	49983	3	Hex Nut, Flange Lock 5/16-18	42	47598	4	Nut, Hex Flanged Lock 1/4"
12	43012	14	Bolt, Hex 1/4-20 x 3/4"	43	46938	4	Hex Bolt, 3/8-16 x 3-1/4"
13	47189	11	Nut, Nylock 1/4-20 Thd.	44	43081	12	Washer, 5/16" STD
14	28096	1	Engine	45	43830	1	Adapter, Deck
15	67974	1	Chute Assembly	46	23560	1	Bracket, Deck Adapter
16	49974	1	Hose Hanger Rod	47	43080	2	Bolt, Carr. 5/16" x 3/4"
17	46420	1	Elbow	48	23825	1	Mounting Strap
18	41882	1	Hose (6" x 84")	49	23826	1	Angle Bracket
19	43793	2	Hose Clamp 6"	50		1	Impeller Housing Assembly (See page 20)
20	24678	2	Side Panel Cart Extension	51	62468	1	Deck Adapter Kit (includes all parts in box on page 18)
21	24679	1	Front Panel Cart Extension	52	68912	1	Chipper Chute Assembly, (includes items 53, 54, 55, 56, and 57)
22	23836	1	Cross Brace	53	28356	1	Deflector
23	68606	1	Hard Top Assembly (Includes 24,25,26,27)	54	28355	1	Angle, Deflector Anchor
24	42189	4	Rivet, 3/16"	55	43882	4	Pop Rivet, 3/16"
25	43910	2	Washer, Flat 3/16"	56	68812	1	Chute Assembly, Top
26	24798	4	Boot Mounting Strap	57	28354	1	Chute, Bottom
27	48133	1	Vinyl Boot (Hardtop)		28409	1	Owner's Manual
28	44790	1	Poly Rear Door				
29	43790	1	Strap, Tarp 25"				
30	44849	2	"S" Hook, #32				
31	44850	2	Strap, Tarp (Less Hooks)				

REPAIR PARTS FOR MODEL 45-0540 CHIP-N-VAC IMPELLER HOUSING ASSEMBLY



REF.	PART NO.	QTY.	DESCRIPTION	REF.	PART NO.	QTY.	DESCRIPTION
1	24633	1	Housing Ass'y. Outer	11	710-0772	4	Bolt, Hex 5/16-24 x 2"
2	63993	1	Housing Ass'y. Inner	12	43182	12	Bolt, Hex 5/16-18 x 3/4"
3	27615	1	Cover, Chipper	13	46584	3	Hex Nut, Whizlock 5/16-18 Thd.
4	27187	1	Spacer Bracket	14	43063	3	Bolt, Hex 5/16-18 x 1"
5	24958	1	Hose Hanger Bracket	15	710-1273	1	Bolt, Hex 3/8-24 x 2-3/4"
6	66791	1	Impeller Assembly	16	43003	1	Lockwasher, 3/8"
7	742-0544B	2	Blade, Chipper	17	42828	1	Flat Washer, 13/32" x 1-1/4"
8	47810	14	Nut, Hex Nylock 5/16-18	18	44738	4	Nut, Hex Lock 5/16-24 "Unitork"
9	43081	4	Washer, 5/16" STD	19	710-1054	4	Screw, Flat Hd. 5/16-24 x 1"
10	43086	8	Washer, Lock 5/16" Spring Type	20	42294	1	Impeller Service Tool